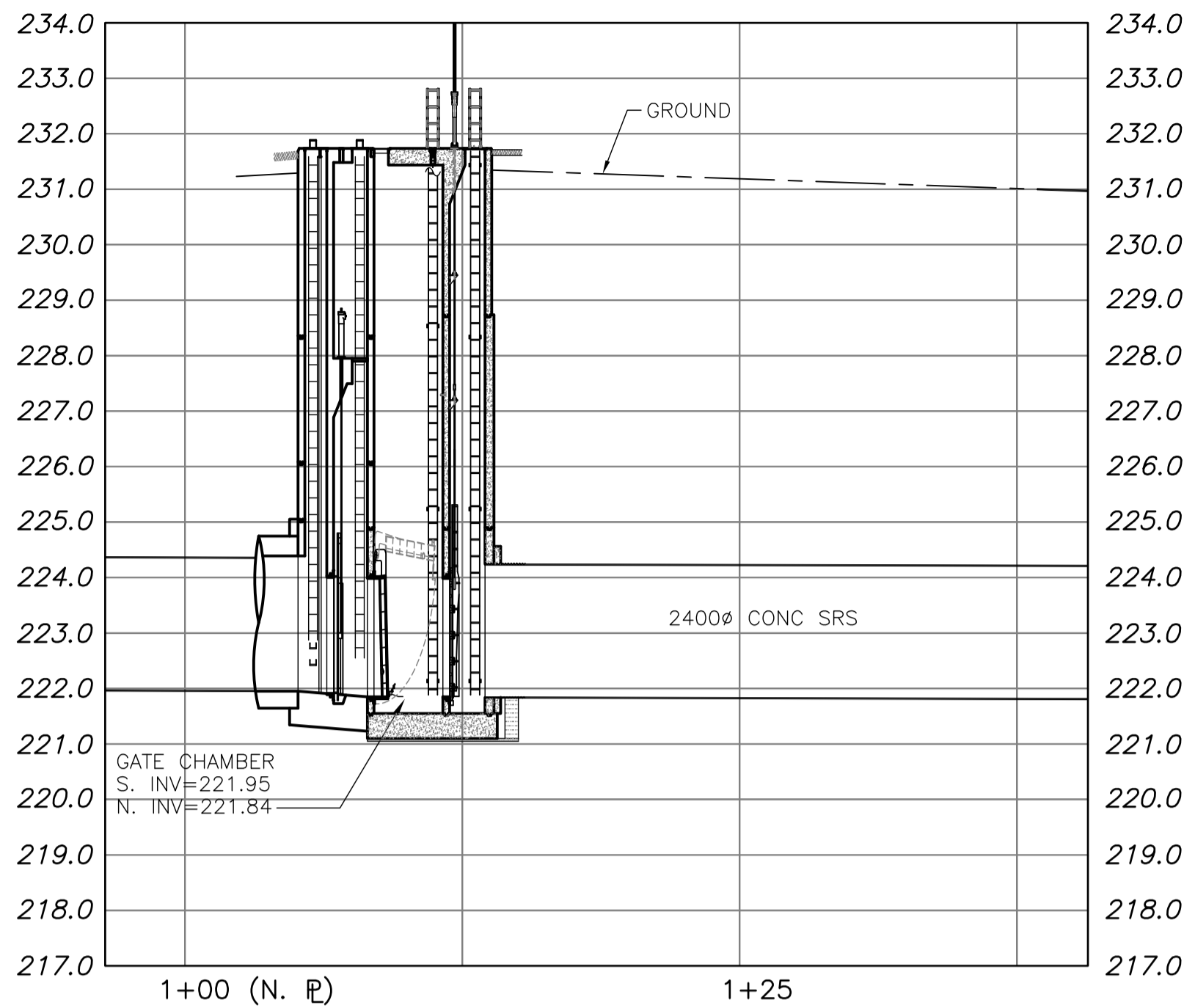
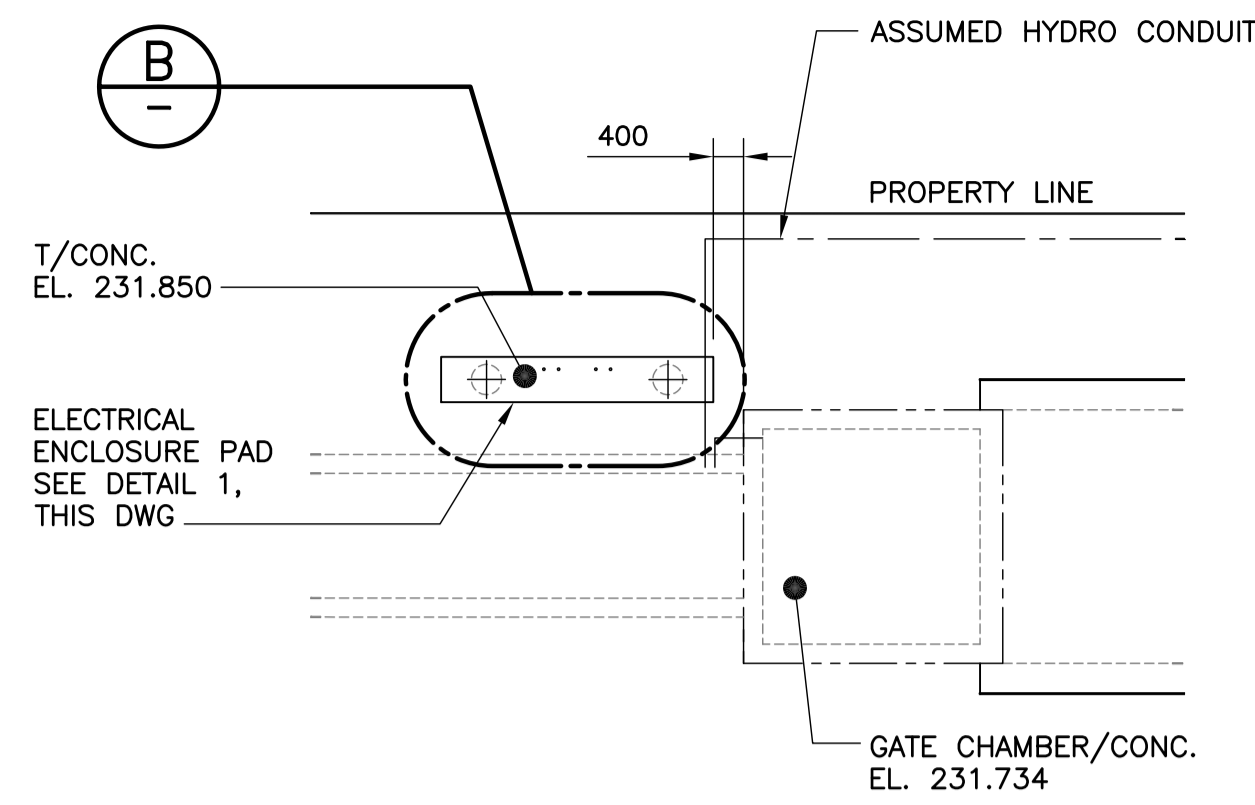


APPENDIX C – REFERENCE DRAWINGS



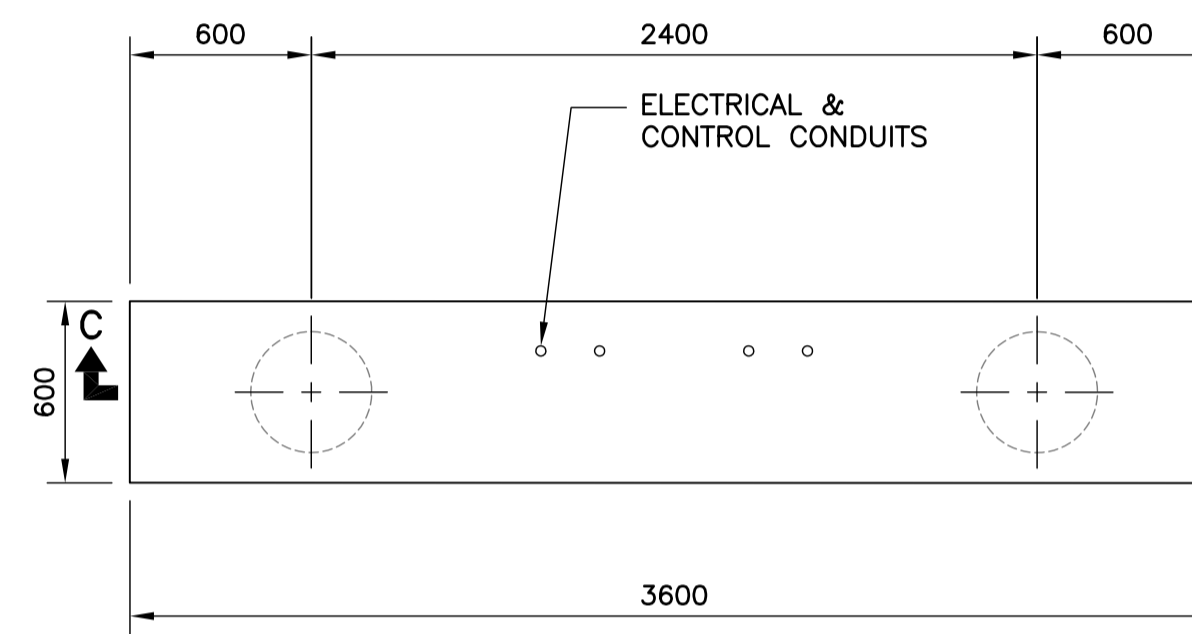
PROFILE
SCALE: HOR 1:250
VER 1:100



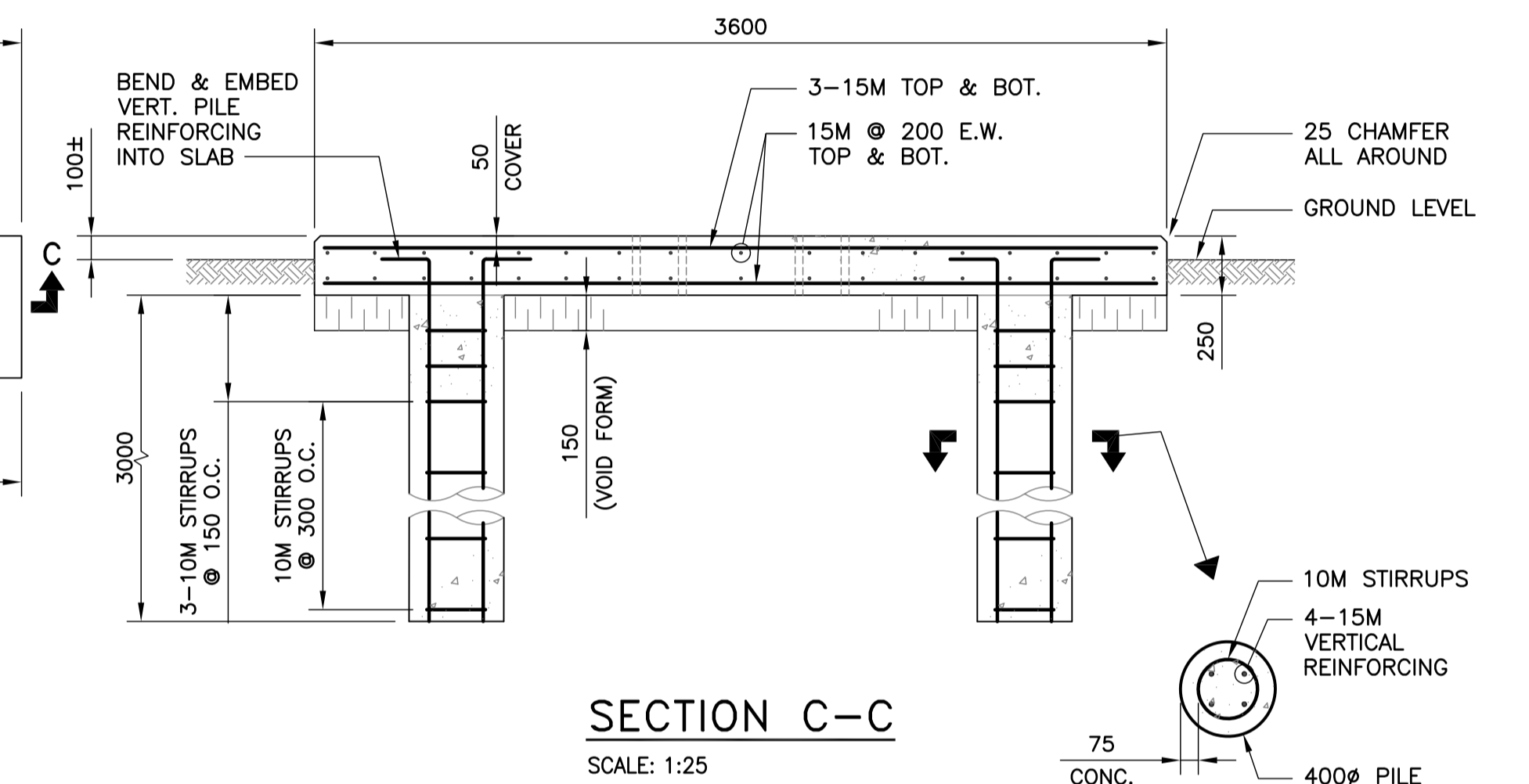
A PARTIAL PLAN
SCALE: 1:100

MATERIALS LIST					
SEWER					
ITEM	MANUFACTURER	MODEL	PRESSURE CLASS	MATERIAL	TYPE
150 DIA. PIPE	UNKNOWN	UNKNOWN	UNKNOWN	SS	ASTM A312 TYPE 304 / 304L
150 DIA. 90 ELBOW	UNKNOWN	UNKNOWN	UNKNOWN	SS	UNKNOWN
150 DIA. FLANGE	UNKNOWN	UNKNOWN	UNKNOWN	SS	UNKNOWN
150 DIA. SHUT OFF VALVE	AMERICAN R/D	6" STYLE 5412A	150 #	CAST IRON	ECCENTRIC PLUG VALVE, WORM GEAR OPERATOR, FLANGED ENDS

CONTRACTOR: ROCKY ROAD RECYCLING LTD.

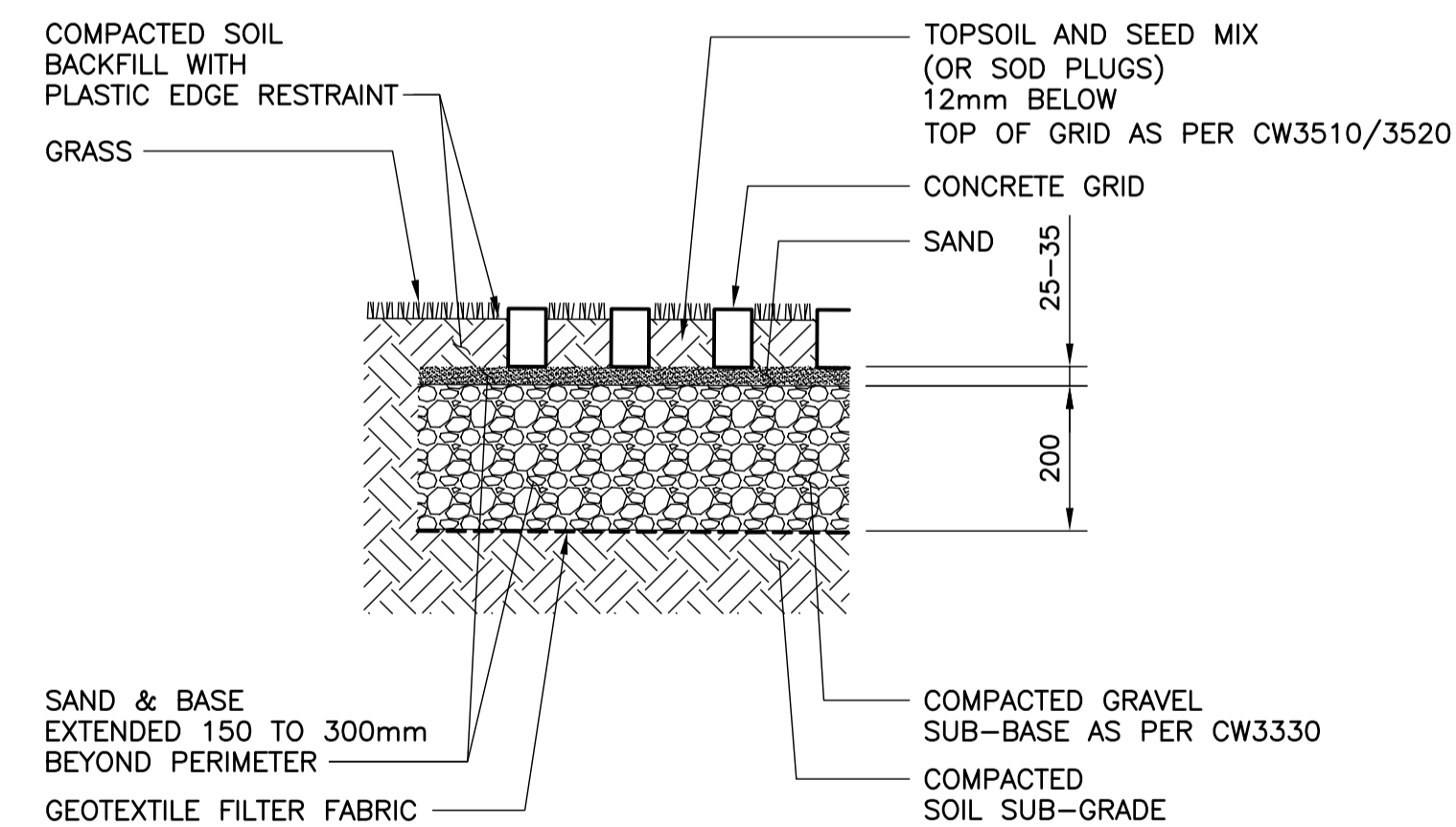


B DETAIL - ELECTRICAL ENCLOSURE PAD
SCALE: 1:25

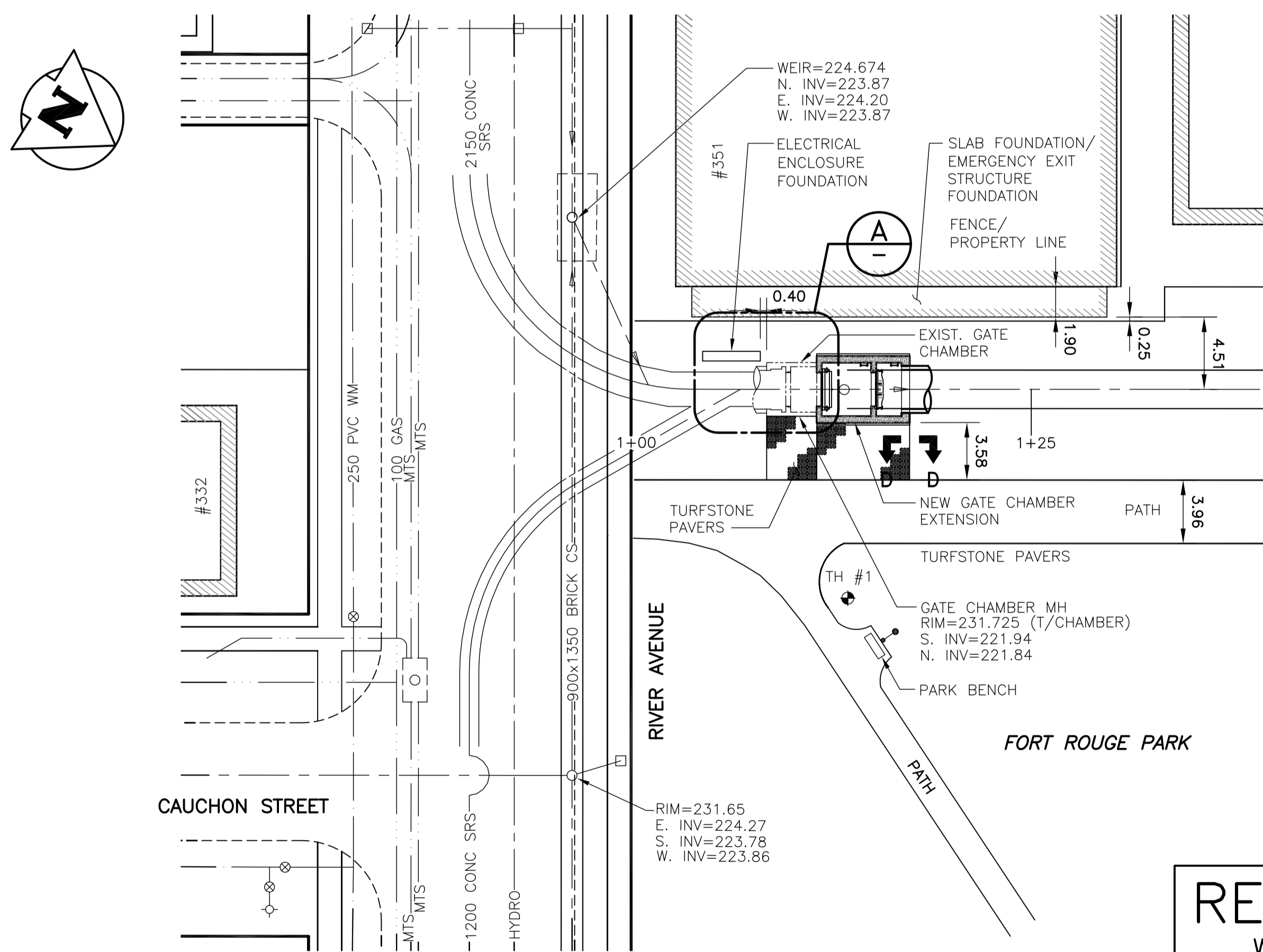
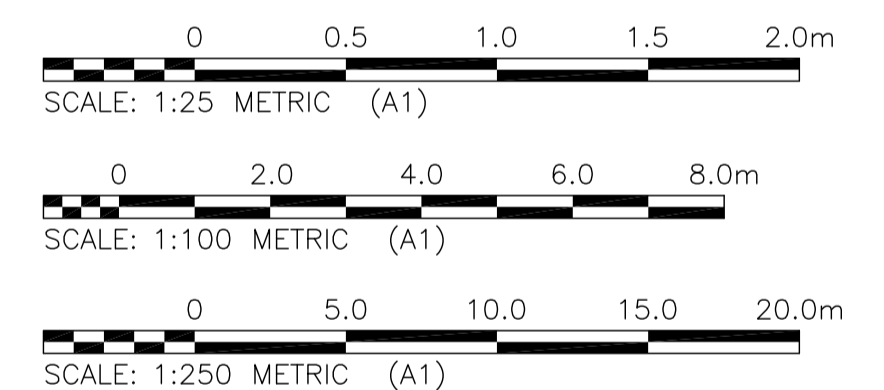


SECTION C-C
SCALE: 1:25

PILE SECTION
SCALE: 1:25



SECTION D-D
SCALE: 1:10

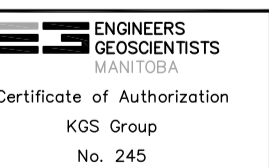


PLAN
SCALE: 1:250

RECORD DRAWING
WATER & WASTE DEPARTMENT

BID OPPORTUNITY NO. 832-2015
PROJECT COMPLETION DATE : 14 DECEMBER 2017
CONTRACTOR : ROCKY ROAD RECYCLING LTD.

METRIC
WHOLE NUMBERS INDICATE MILLIMETRES



150 WM	WATERMAIN	150 WM	HYDRO	HYDRO	EXISTING	LEGEND-PROFILE	PROPOSED
⊕	HYDRANT VALVE	⊕	M.T.S.	---	---	---	---
⊕	LAND DRAINAGE SEWER	⊕	PROPERTY LINE	---	---	---	---
⊕	WASTE WATER SEWER	⊕	SURVEY BAR	---	---	---	---
⊕	MANHOLE	⊕	LIGHT STANDARD	---	---	---	---
⊕	CATCH BASIN	⊕	HYDRO POLE	---	---	---	---
⊕	CURB INLET	⊕	GUY WIRE	---	---	---	---
⊕	JUNCTIONS	⊕	SIGN	---	---	---	---
⊕	CULVERT	⊕	BUSH LINE	---	---	---	---
⊕	GAS	⊕	FENCE	---	---	---	---
---	LEGEND-PLAN	---	ELEVATION	---	---	---	---
---	PROPOSED	---	LEGEND-PLAN	---	---	---	---
---	EXISTING	---	PROPOSED	---	---	---	---

LOCATION APPROVED UNDERGROUND STRUCTURES
SUPV. U/G STRUCTURES COMMITTEE DATE
NOTE:
LOCATION OF UNDERGROUND STRUCTURES AS SHOWN ARE BASED ON THE BEST INFORMATION AVAILABLE BUT NO GUARANTEE IS GIVEN THAT ALL EXISTING UTILITIES ARE SHOWN OR THAT THE GIVEN LOCATIONS ARE EXACT. CONFIRMATION OF EXISTENCE AND EXACT LOCATION OF ALL SERVICES MUST BE OBTAINED FROM THE INDIVIDUAL UTILITIES BEFORE PROCEEDING WITH CONSTRUCTION.

NO.	REVISIONS	DATE	BY
2	RE-ISSUED FOR RECORD DRAWING	20/12/14	CMS
1	ISSUED FOR RECORD DRAWING	20/09/30	CMS
0	ISSUED FOR CONSTRUCTION	15/10/02	CMS

DESIGNED BY	CHECKED BY	DATE
KRD	CMS	2015 08 25
DRAWN BY	APPROVED BY	DATE
GEL	CMS	

HOR. SCALE 1:250
VERTICAL 1:100



THE CITY OF WINNIPEG
WATER AND WASTE DEPARTMENT

FORT ROUGE OUTFALL CHAMBER UPGRADES

MUNICIPAL
SITE PLAN, PROFILE & SECTIONS

SHEET 2 OF 25
CITY DRAWING NUMBER 1-0204A-C0001-001